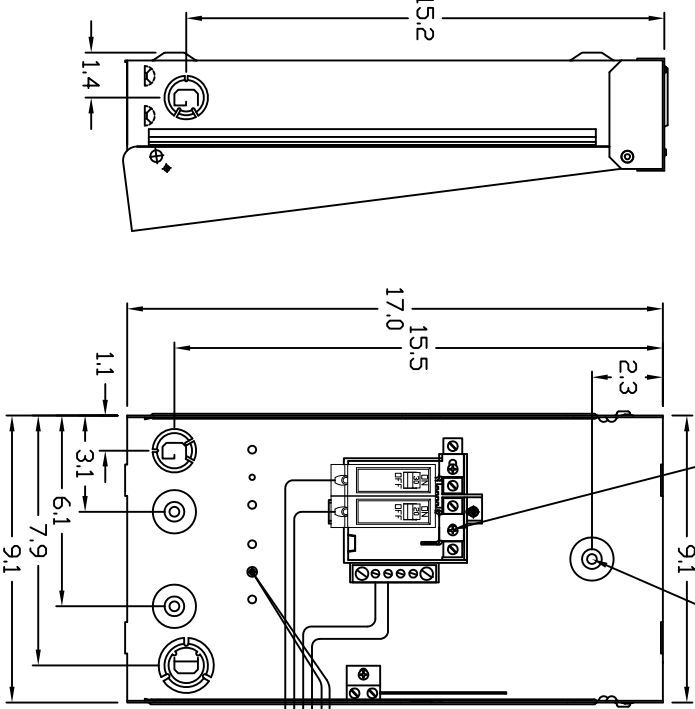


1-1/2" HUB HOLE

3 CIRCUIT 70 AMP. LOAD CENTER
30AMP CIRCUIT BREAKER 1-POLE
20AMP CIRCUIT BREAKER 1-POLE
SPACE

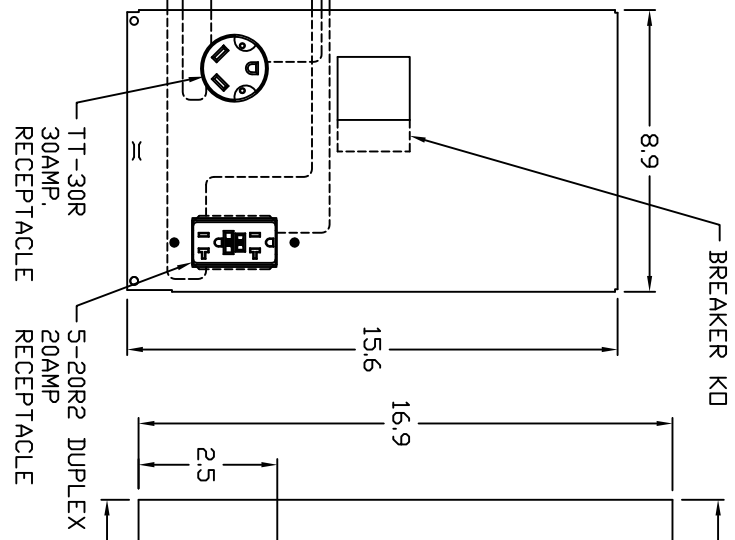


KNOCKOUT TABLE:

H = 9/32" KD
G = 1/2", 3/4", 1" KD
B = 1", 1-1/4", 1-1/2" KD
D = 3/4", 1", 1-1/4" KD

WIRE RANGE TABLE:

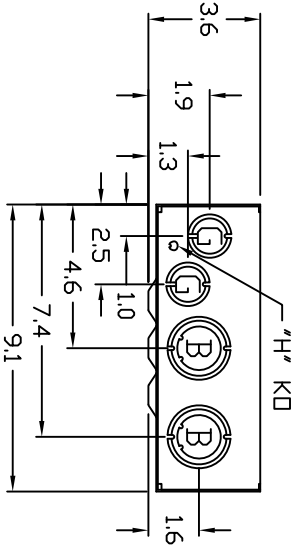
CONNECTOR	COPPER	ALUMINUM
SOLID STRAND	SOLID STRAND	SOLID STRAND
LINE	14-8 14-1/0	12-10 12-1/0
LOAD	14-10 14-10	---
NEUTRAL HOLE LARGE	14-8 14-2	10 12-2
NEUTRAL HOLE SMALL	14-8 14-4	12-10 12-4
EQUIP. GRND. HOLE	12-2 12-2	12-2 12-2



TT-30R
30AMP.
RECEPTACLE

5-20R2 DUPLEX
20AMP
RECEPTACLE

NOTES:
LUG TYPE IS LDDP FEED



Dr. By: ST Dt: 11-16-09
Ck. By: CR R0729847 Dt: 11-16-09



SH148

* = Critical To Quality

Unless Otherwise Specified

Tolerances Dn: 3 Pl. Decimals ± .010
2 Pl. Decimals ± .030
Angles ± 1/2°
Holes ± .003

Dimensions are in Inches

Autocad	Generated	SCALE	SIZE
		1 : 1	A

DWG NO: 198B8604

Rev.1 CR R0729847 ST 11-16-09
Rev.2 CR R1318112 DJ 09-16-13